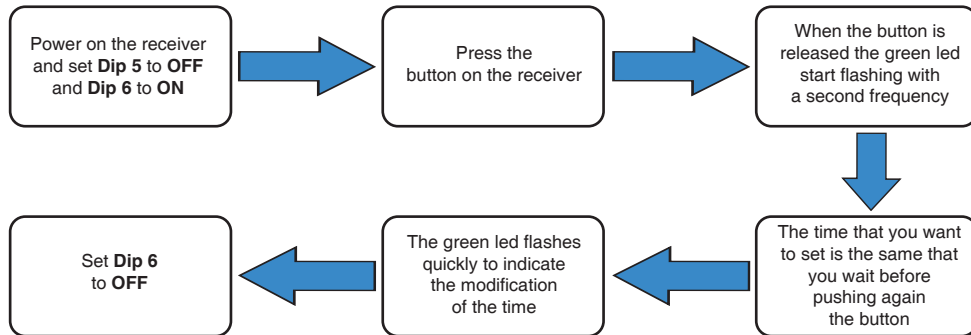


6 - PAUSE PROGRAMMATION

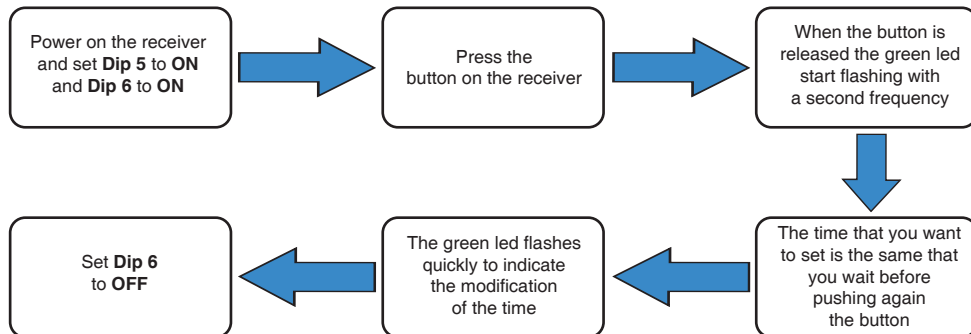
6A - MODIFICATION OF THE ACTIVATION TIME OF THE OUTPUT CHANNEL 1

With this procedure you can determine how long the receiver will keep closed the contact to channel 1 for timer mode.



6B - MODIFICATION OF THE ACTIVATION TIME OF THE OUTPUT CHANNEL 2

With this procedure you can determine how long the receiver will keep closed the contact to channel 2 for timer mode.



⚠ For the timing of the contact of the output desired it must be set to timer mode (see paragraph 4).

1 - GENERAL DESCRIPTION

1A - PRODUCT DESCRIPTION

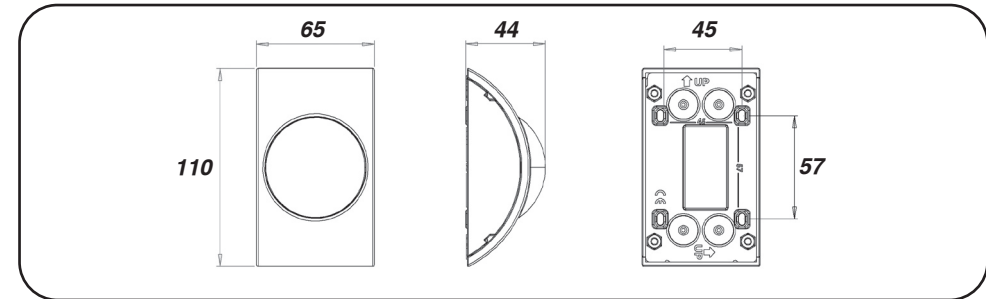
"**NOVO RX**" is a two channel output receiver compatible with "KING-gates" transmitters with a "Hybrid" or "Master.way" codes (see Section 3 for the code setting).

It has two output channels "OUT1" and "OUT2" which can be set to operate as:

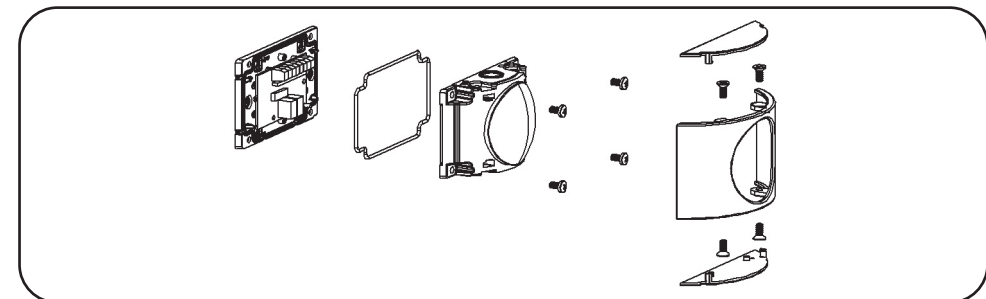
- Mono-stable: receiving the command the output is activated for a second and then turns off
- Bi-stable: upon receiving the first command activates the output and receiving the second command it deactivates output
- Timed: receiving the command the output is activated and remains active for a time programmed from 1 second up to 245 seconds (programmable).

1B - TECHNICAL DATA

Power supply	12/24 Vac/dc	Output	Relé
Radio receiver	433.920MHz	No. storable codes	180
Absorption stand by/working	22mA / 40 mA	No. outputs	2
Relay contact	0,5A @ 24Vac/dc	Working temperature	-20 / +55 °C



1C - INSTALLATION AND STARTING MODALITY

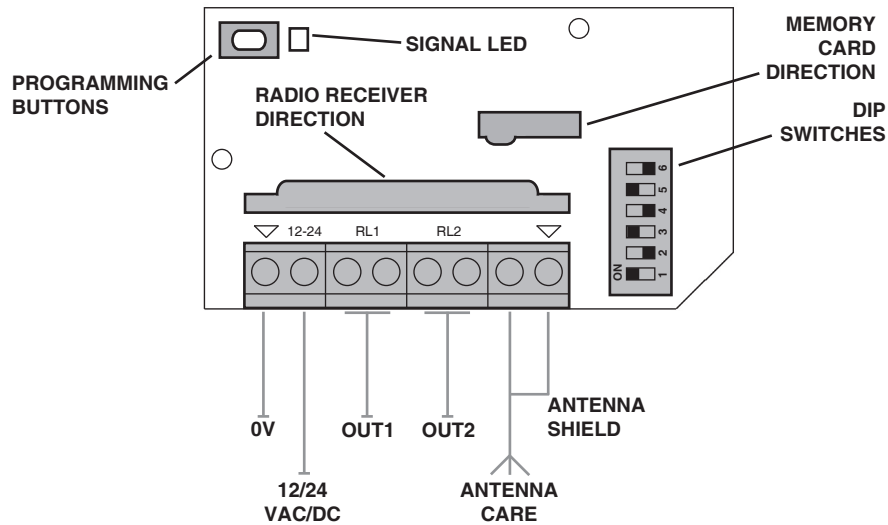


To install "**NOVO RX**" it is necessary to power the receiver and connect at least one output contact OUT1 or OUT2 (see wiring diagram in section 2). After selecting the contact function desired (see paragraph 4 DIP 1, 2 and 3, 4) according to the use of the commands (see paragraph 1A) it is sufficient to program the remote controls that you want to use (see paragraph 5).

FACTORY SETTING:

- Coding of "Hybrid" remote controls
- Output channel 1 bi-stable
- Channel 2 bi-stable
- Timing of the contact (if you change the type of output) is 30 seconds.

2 - CONNECTION DRAWING



3 - SETTING CODE TYPE

This program allows you to set the code type of the transmitters between Master.way (working only with transmitters with rolling code manageable with the palmtop programmer "Prog MW) and Hybrid (working with all " KING-gates " transmitters).

Master.way coding: switch OFF power, set all dip-switches in ON and switch ON power . The signal LED will flash three times to indicate "Master.way" mode activated.

Hybrid coding: switch OFF power , set all dip-switches in ON, press the program button, and switch ON power. After releasing the button the signal LED will remain ON for three seconds to indicate "Hybrid" mode activated.

⚠ **For normal functioning of the system at the end of the programming switch DIP 6 in OFF**

⚠ **A different kind of code settings does not delete the radio codes in the memory.**

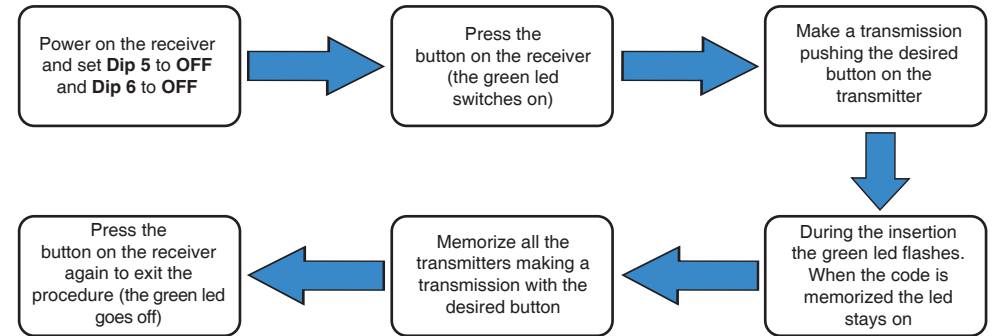
4 - DIP SWITCHES

DIP	STATUS	FUNCTIONING DESCRIPTION
01 02	ON - ON	OUT1 Timed relay (see paragraph 6)
	OFF - ON	OUT1 Monostable
	ON - OFF	OUT1 Bistable
	OFF - OFF	OUT1 Not in use
03 04	ON - ON	OUT2 Timed relay (see paragraph 6)
	OFF - ON	OUT2 Monostable
	ON - OFF	OUT2 Bistable
	OFF - OFF	OUT2 Not in use
05	ON	Programming modality relay 2
	OFF	Programming modality relay 1
06	ON	Programming modality timed relay (see paragraph 6)
	OFF	Standard functioning modality

5 - RADIOTRANSMITTERS PROGRAMMING

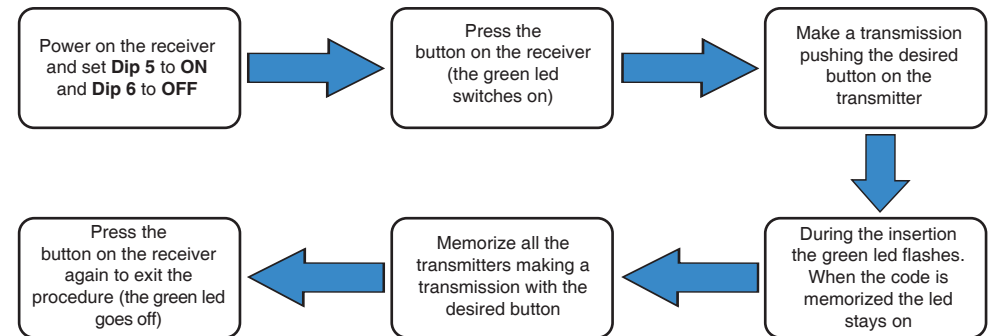
5A - PROGRAMMING OF A RADIO TRANSMITTER ON CHANNEL 1

It is possible to link the transmitters to the "OUT1" output contact by this procedure.



5B - PROGRAMMING OF A RADIO TRANSMITTER ON CHANNEL 2

It is possible to link the transmitters to the "OUT2" output contact by this procedure.



5C - DELETING OF ALL RADIO TRANSMITTER

Using this procedure the installer can delete all the previously programmed radio remote controls from the memory

